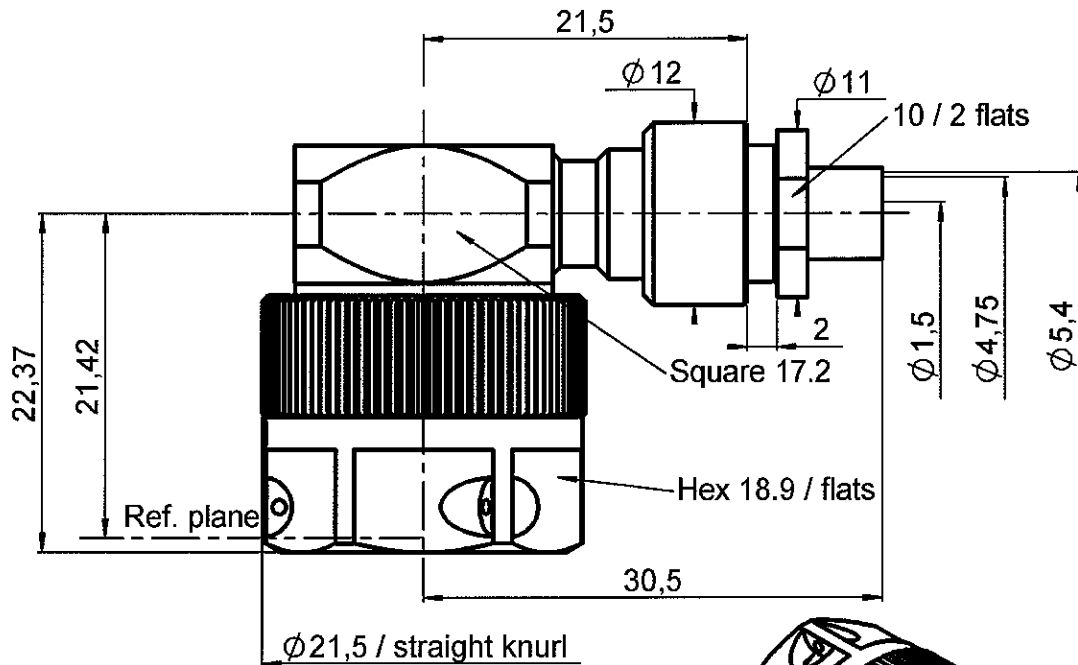


RIGHT ANGLE PLUG SOLDER TYPE

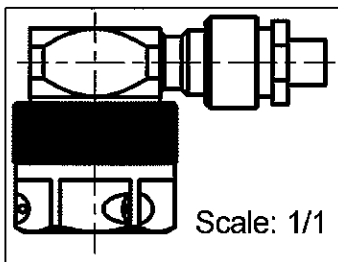
R163.195.L00

CABLE SHF 5+5M

Series : N-18



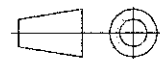
3 holes ϕ 0.95 at 120°



MAT ASPECT

Scale: 1.5/1

All dimensions are in mm.



COMPONENTS	MATERIALS	PLATING (μ m)
BODY	STAINLESS STEEL (316L)	PASSIVATED
CENTER CONTACT	BERYLLIUM COPPER, BRASS	GOLD 2.5 OVER NICKEL 2
OUTER CONTACT	-	-
INSULATOR	PTFE	-
GASKET	FLUOROSILICON	-
OTHERS PARTS	ST. STEEL (316L), BRASS	GOLD, PASSIVATED
.	.	.
.	.	.

Issue : 0610 A

In the effort to improve our products, we reserve the right to make changes judged to be necessary.



RIGHT ANGLE PLUG SOLDER TYPE

R163.195.L00

CABLE SHF 5+5M

Series : N-18

PACKAGING

Standard	Unit	Other
1	-	Contact us

SPECIFICATION

ELECTRICAL CHARACTERISTICS

Impedance	50	Ω
Frequency	0-18	GHz
VSWR	1.15 + 0,0000	x F(GHz) Maxi
Insertion loss	0.1	√F(GHz) dB Maxi
RF leakage	- (90	- F(GHz)) dB Maxi
Voltage rating	500	Veff Maxi
Dielectric withstanding voltage	1500	Veff mini
Insulation resistance	5000	MΩ mini

CABLE ASSEMBLY

Stripping	a	b	c	d	e	f
mm	20,0	3,50	0,00	0,00	0,00	0,00

Assembly instruction :

Recommended cable(s)
SHF 5M
SHF 5

Characteristics indicated on this data sheet are those that can be achieved with the highest performance cable. Intrinsic limitations of the cable may diminish the performance of the assembly

Cable retention

- pull off * N mini
- torque NA N.cm

MECHANICAL CHARACTERISTICS

Center contact retention		
Axial force – Mating end	27	N mini
Axial force – Opposite end	27	N mini
Torque	NA	N.cm mini

TOOLING

Part Number	Description	Hexagon
.	.	.

Recommended torque		
Mating	400	N.cm
Panel nut	NA	N.cm
Clamp nut	350	N.cm
A/F clamp nut	10,0000	mm

Mating life	500	Cycles mini
Weight	54,3300	g

OTHER CHARACTERISTICS

*See the TDS of the cable assembly

ENVIRONMENTAL

Operating temperature	-65/+165	°C
Hermetic seal	NA	Atm.cm3/s
Panel leakage	IP67	

Issue : 0610 A

In the effort to improve our products, we reserve the right to make changes judged to be necessary.



PRELIMINARY

RIGHT ANGLE PLUG SOLDER TYPE

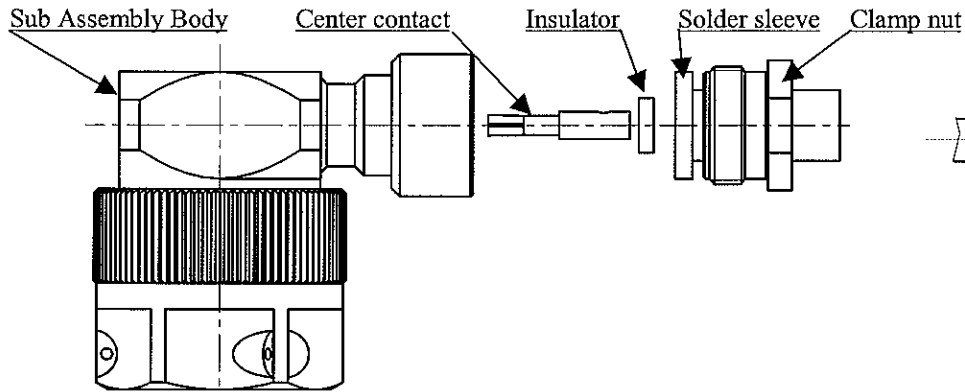
R163.195.L00

CABLE SHF 5+5M

Series : N-18

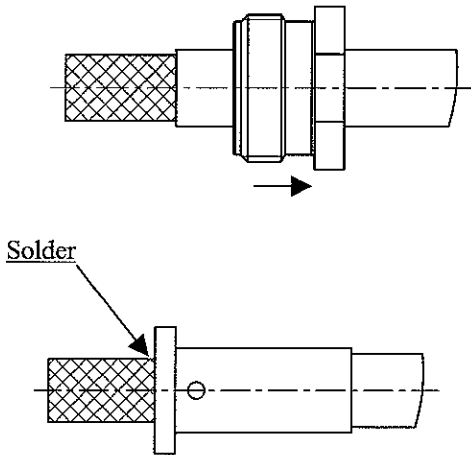
COMPONENTS

STRIPPING DIMENSIONS



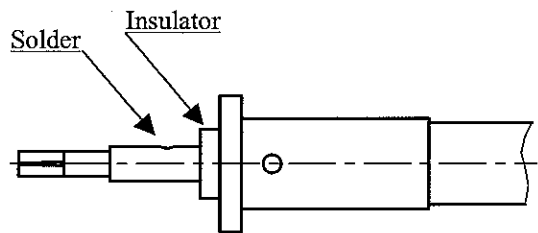
1

Strip the cable.
Slide the clamp nut onto the cable.
Solder the ferrule onto the braid of the cable.



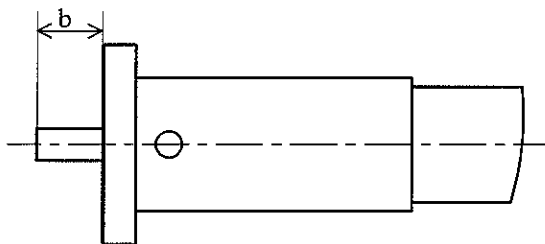
3

Slide the center contact onto the cable inserting between contact and ferrule the insulator.
Solder the contact onto the inner conductor.



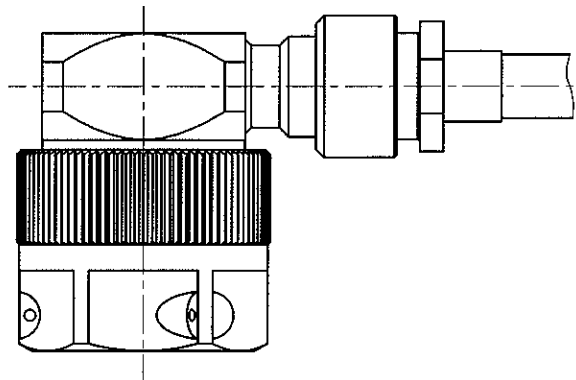
2

Cut the excess of braid and dielectric leveled on the sleeve.



4

Mount the whole body into the main sub assembly and screw the solder sleeve.
(recommended coupling torque 350 N/cm)



Issue : 0610 A

In the effort to improve our products, we reserve the right to make changes judged to be necessary.



RADIALL®